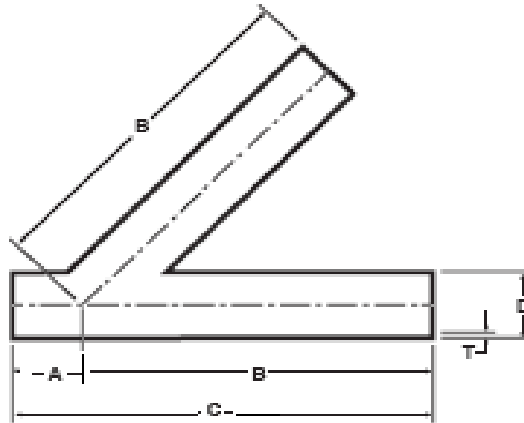


45° Laterals



Nominal Pipe Size		Outside Diameter		Thickness		Dimensions						Weight	
		D		T		A		B		C		lb	kg
In	mm	In	mm	In	mm	In	mm	In	mm	In	mm		
3	76	3.500	89	0.120	3.00	3.00	76	10.00	254	13.00	330	8.50	3.90
4	102	4.500	114	0.120	3.00	3.00	76	12.00	305	15.00	381	12.90	5.90
5	127	5.563	141	0.134	3.40	3.50	89	13.50	343	17.00	432	20.20	9.20
6	152	6.625	168	0.134	3.40	3.50	89	14.50	368	18.00	457	25.80	11.70
8	203	8.625	219	0.148	3.80	4.50	114	17.50	445	22.00	559	45.10	20.50
10	254	10.750	273	0.165	4.20	5.00	127	20.50	521	25.50	648	73.20	33.30
12	305	12.750	324	0.180	4.60	5.50	140	24.50	622	30.00	762	112.30	51.10
14	356	14.000	356	0.188	4.80	6.00	152	27.00	686	33.00	838	141.90	64.50
16	406	16.000	406	0.188	4.80	6.50	165	30.00	762	36.50	927	180.10	81.90
18	457	18.000	457	0.188	4.80	7.00	178	32.00	813	39.00	991	216.60	98.50
20	508	20.000	508	0.218	5.50	8.00	203	35.00	889	43.00	1092	306.50	139.30
24	610	24.000	610	0.250	6.40	9.00	229	40.50	1029	49.50	1257	486.80	221.30
30	762	30.000	762	0.312	7.90	10.00	254	49.00	1245	59.00	1499	911.40	414.30
36	914	36.000	914	0.312	7.90	24.00	610	60.00	1524	84.00	2134	1460.80	664.00
42	1067	42.000	1067	0.312	7.90	26.00	660	69.00	1753	95.00	2413	1943.40	883.40
48	1219	48.000	1219	0.312	7.90	27.00	686	77.00	1956	104.00	2642	2453.50	1115.20

Notes:

1. Thicknesses and Weights are for Sch 10S except 42" and 48" has 5/16" thickness.
2. Wall thickness tolerance to ASTM A-774.
3. Material : Stainless Steel 304, 304L, 316, 316L.

FITTINGS THROUGH 100" PIPE SIZE ARE AVAILABLE

Sumitec Int'l, Inc

Phone (877)-837-9618 Fax (866) 311-5335 email:sumitecsales@comcast.net

We also Supply Carbon and Stainless Steel Flanges and Pipes